

**Eco-Rail Power supply 1-phase, primary switched IN: 90-264VAC OUT: 24V/2,5ADC**

INPUT: 90...264 V AC

OUTPUT: 24 V DC

Current: 2.5 A

**Image**

- stable output voltage, (short-circuit and overload protected)
- Wide voltage input
- Protection IP20

Vicarious picture

**Input**

Input voltage	100...240 V AC
Input current	1.1 A (115 V AC); 0.6 A (230 V AC)
Inrush current after 1 ms	max. 20 A
External fuse	max. 20 A
Frequency	50...60 Hz

**Output**

Output voltage	24 V DC $\pm 1\%$
Output current	2.5 A (+40 °C); 2.0 A (+55 °C)
Mains failure bridging time	min. 20 ms (115 V AC); min. 100 ms (230 V AC)
Ripple	max. 20 mV rms
Short-circuit and overload protection	yes
Spikes	max. 100 mV p-p
LED display	LED (green) for output voltage
Parallel usage/serial usage	no/yes (max. 2 units)

**General data**

Standards	(EN 60950-1), (EN 61204-3), (EN 55022 B), (EN 61000-3-2)
Mounting method	DIN-rail mountable TH35 (EN 60715)
Efficiency	85 % (115 V AC); 87 % (230 V AC)
Relative humidity	20...90 %, no condensation
Temperature range	0...+40 °C, to +55 °C derating (storage temperature -20...+85 °C)
Dimensions H x W x D	125 x 50 x 80 mm

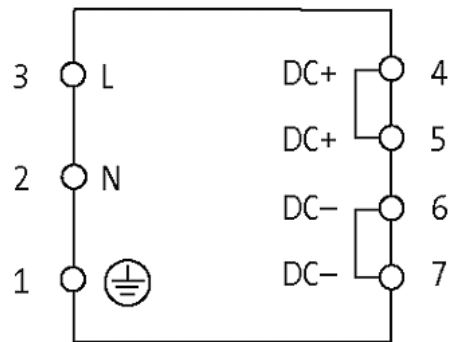
**Commercial data**

Net weight	490
Weight unit	Gram
Basic unit	pc.
Customs tariff number	85044090
Unit (piece)	1
Minimum order quantity (piece)	1

All data on this data sheet was compiled carefully.

Liability regarding correctness, completeness, and actuality is limited to gross negligence. Created: 04/14

## Circuit diagram



## Dimension drawing

